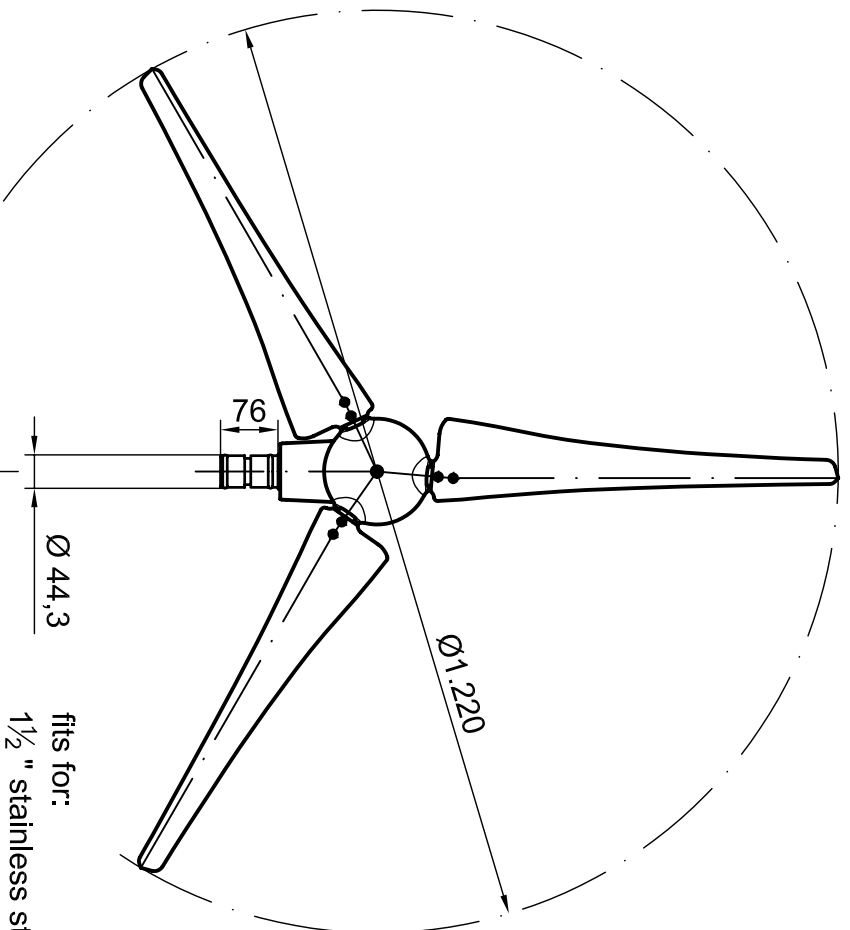
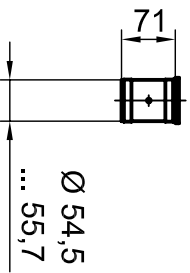


dimensions in mm



fits for:
 1½ " stainless steel tube (Ø 48,3 x 2,0)

fits for:
 2 " stainless steel tube (Ø 60,3 x 2,0)
 2 " steel tube (Ø 60,3 x 2,3)
 aluminium tube (Ø 60 x 2,5)



Ø 54,5
 ... 55,7